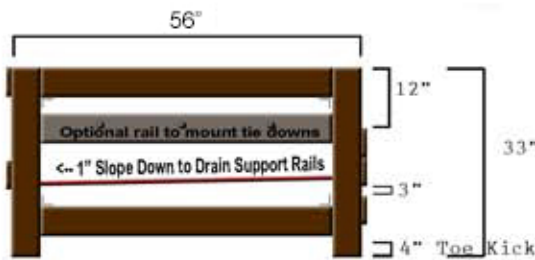
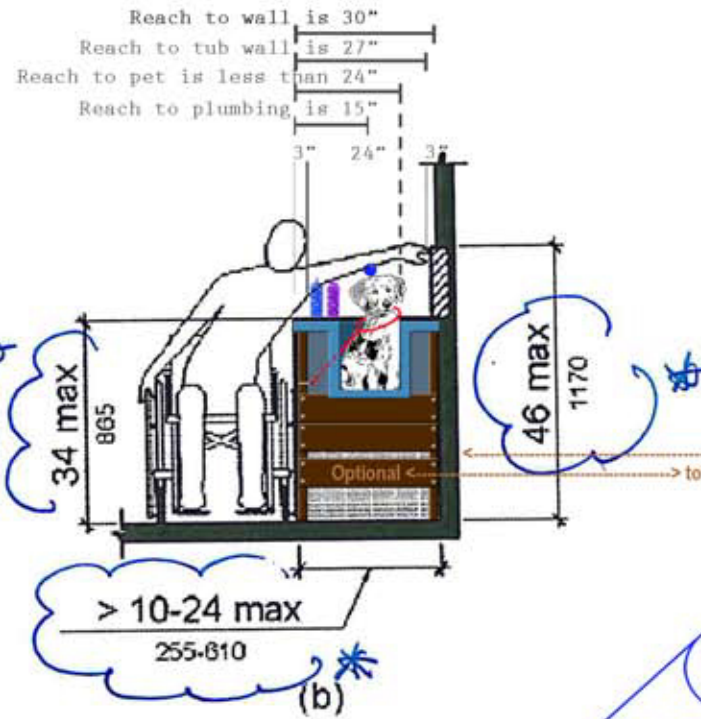
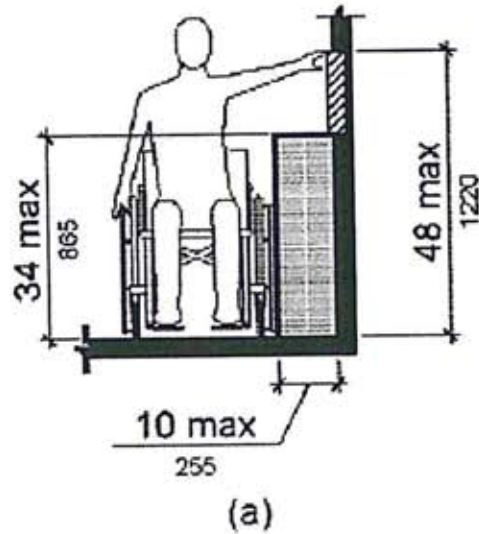


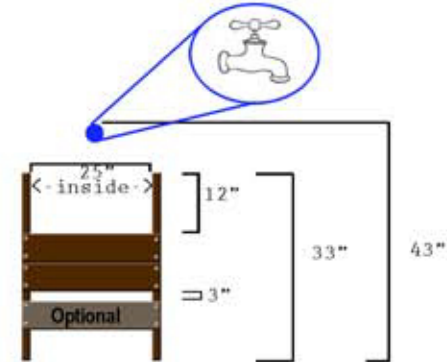
Base for K9Spa, within ADA guidelines



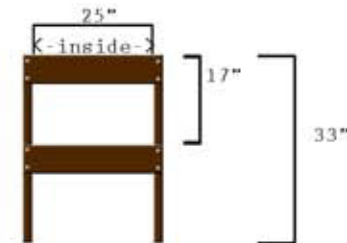
SIDE OF TUB
(WHERE CUSTOMER STANDS OR SITS)



TOP OF TUB
(Support rails on either side of drain)



FRONT OF TUB (WHERE PET ENTERS)



REAR OF TUB (WHERE PLUMBING/DRAIN IS)

3" opening for optional push in step
to support a pull out step