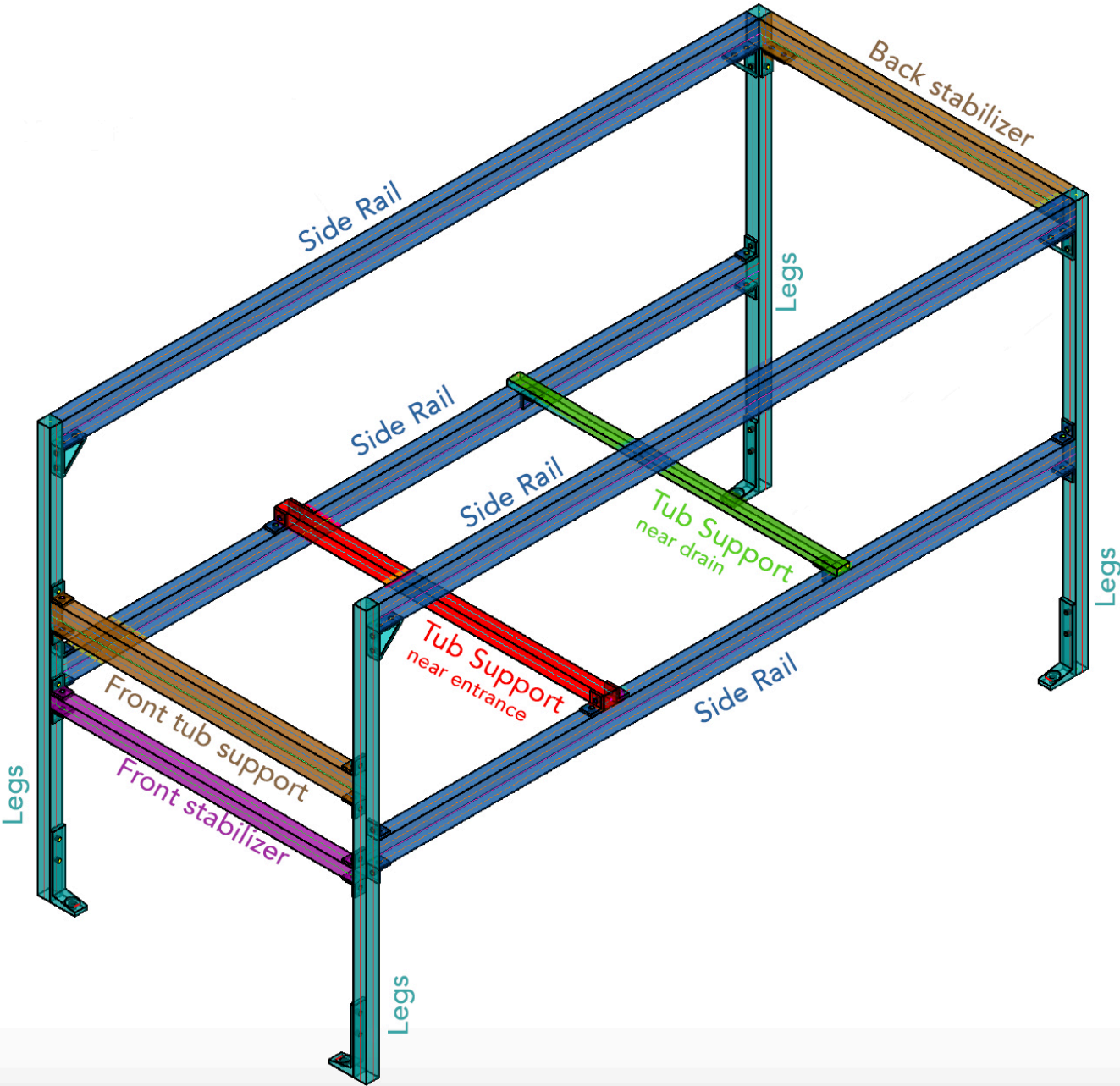


K9Spa Frame Assembly Instructions









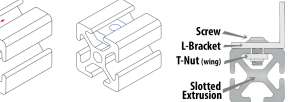
www.K9Spa.com



Aluminum Extrusions:

QTY	Length	Description
4	33.000"	1" X 1" Legs (33" ADA height, 38.5" Standard Height)
4	56.000"	1" X 2" Side rails (top & middle)
2	24.457"	1" X 2" Front tub support & Back stabilizer
1	24.457"	1" X 1" Front stabilizer
1	26.457"	1" X 1" Tub support (Under tub closer to front of tub)
1	26.457"	1" X .5" Tub support (Under tub closer to drain)

List of parts

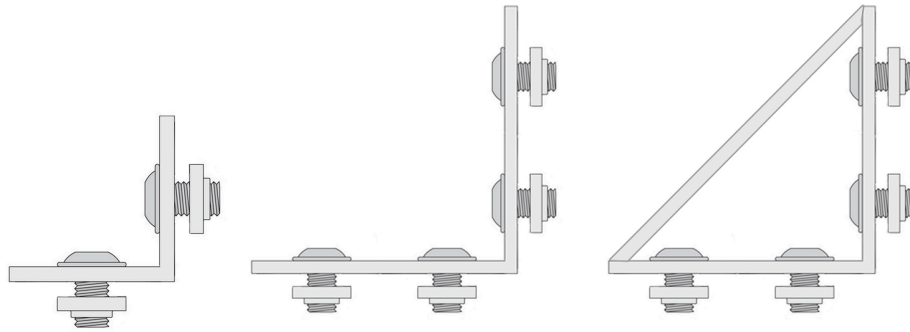
Part	Qty	Measurements	Description	
<i>A-F Slotted Aluminum Extrusions</i>				
A	4	1" x 1" x 38.5"	1" X 1" Legs (33" ADA height, 38.5" Standard Height)	
B	1	1" x 1" x 26.457"	K9Spa Tub Support (near entrance)	
C	1	1" x 1" x 24.457"	Front stabilizer	
D	4	1" x 2" x 56"	Side Rails	
E	2	1" x 2" x 24.457"	Front tub support & Back stabilizer	
F	1	1" x 1/2" x 26.457"	K9Spa Tub Support (near drain)	
	G	4	Tall L – 3 holes	Foot
	H	2	Corner – 4 holes	Top Rails to Rear Cross Beam Corner Brackets
	I	22	Corner – 2 holes	General Attachment L brackets
	J	4	Corner – 4 holes	Top Rails to Legs Corner Gusset Brackets
	K	1	Tool	Hex Tool – Yellow Handled
	8	T-Nut & Screw	Slide-in T-Nut (wing) and Bolt for Foot (part G)	
	4	3/8" x 2 3/4" Anchor	Feet to Floor Anchors (see part G)	
	68	T-Nut & Screw	General Slide-in T-Nut (wing) and Bolt	
				

ASSEMBLY DIRECTIONS

1. Pre-load the 4 Corner Gussets, 2 Corner Brackets and the 22 General L Brackets with the T-Nut and Screw assembly.

Tip: Make sure the lip or protrusion on the T-Nut is facing away from the head of the screw.

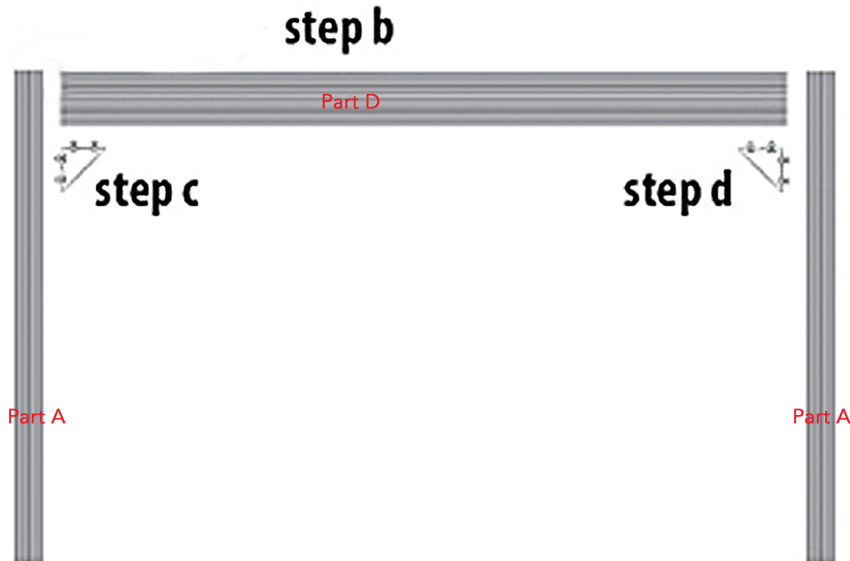
Tip: Do not tighten Screws leave very loose.



2. Measure and mark the 4 legs, part A

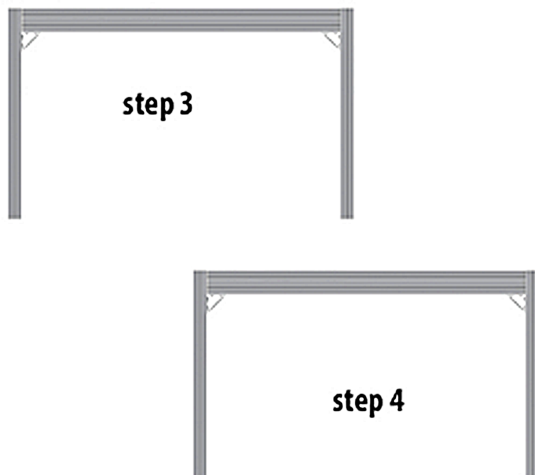
- a. Use the sticker or make a mark to denote the *top of each leg*
- b. Mark 2 legs as the back legs (near the drain)
- c. Mark 2 legs as the front legs (where the dog enters)
- d. Measure 18.25" from the top and mark this on ALL legs
- e. On the front legs only measure 12" and 19.5" and make additional marks

3. Connect the legs (part A) to the side rails (part D) with corner gussets
 - a. you will need: 1 front leg, 1 back leg, 1 side rail and 2 corner gussets



- b. Lay the legs and top rail out on a flat surface.
 - c. Making sure the top of the legs are flush with the top of the side rail, slide in the Corner Gusset and tighten all 4 screws

4. Repeat step 3 with the remaining 2 legs and side rail

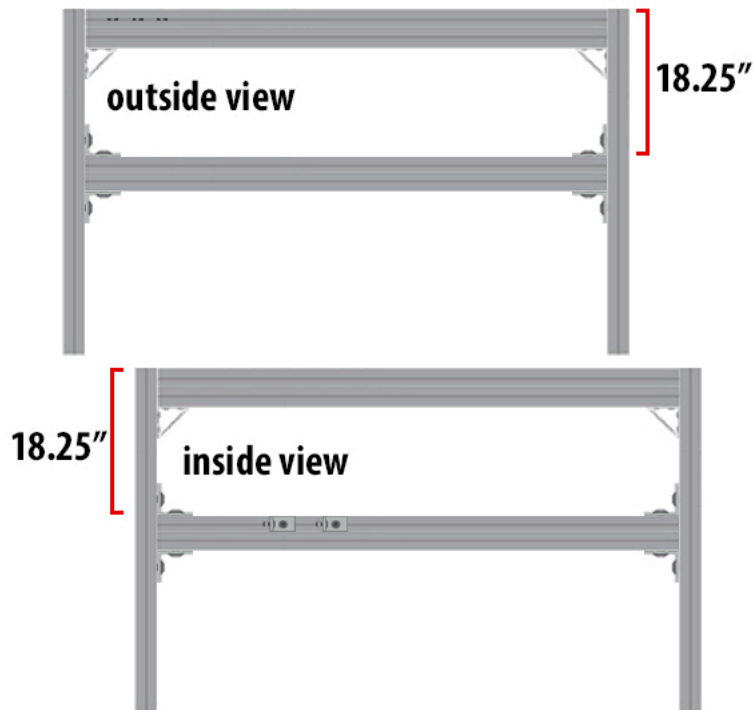


5. Attach the hardware to the support side rails

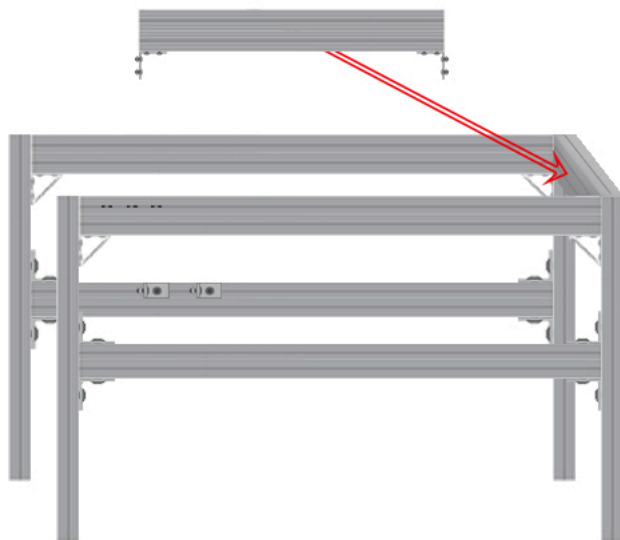
- a. Attach 2 General L Brackets to each side of a new side rail



6. Slide support rail in step 5 onto the sides put together in step 3 and 4. Make sure the 2 support rails are 18.25" from the top of the leg.



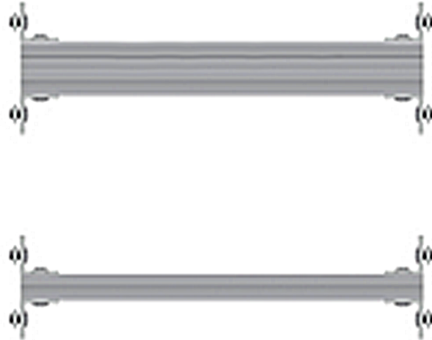
7. Attach the left side and right side with a thick 1"x 2" x 24.457" cross beam with the 2 corner brackets facing down



8. Attach the front 2 cross bars

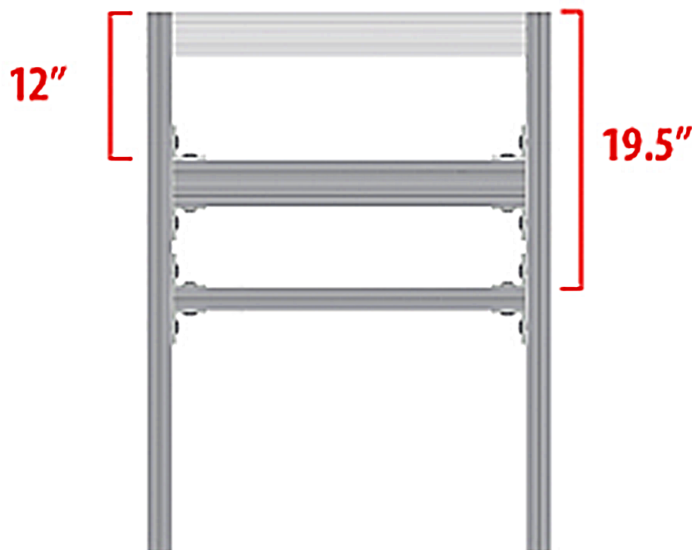
- a Add 4 General L Brackets to a 1"x 2" x 24.457" Front Tub Support
- b Add 4 General L Brackets to a 1"x 1" x 24.457" Front Stabilizer

step 8a and 8b



- c Slide 8b down the front of the legs and attach just below your 19.5" mark.
- d Slide 8a down the front of the legs and attach just below your 12" mark.

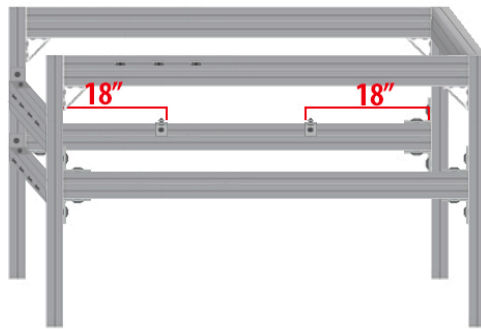
step 8c and 8d



9. Attach Tub Support Bars

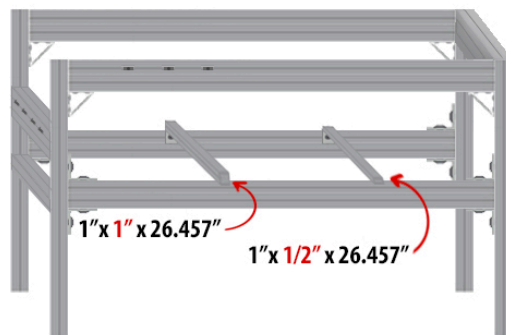
- a. Loosen and slide one General L Bracket located on the inside of the frame 18" away from the closest leg.
- b. Flip over, so available screw is facing upward and tighten at this location. Repeat for all 4 support brackets.

step 9a and 9b



- c. Slide in the 1"x 1" x 26.457" Support rail into the L brackets closest to the entrance of the tub and tighten; this bar should rest on top of the long side rails.
- d. Slide in the 1"x 1/2" x 26.457" Support rail into the L brackets closest to the rear of the tub and tighten; this bar should rest on top of the long side rails.

step 9c and 9d



10. Attach Feet and Anchor to floor

- a. Attach the 8 special T-Nut and Screws to the 4 feet
- b. Slide the feet down the legs to mount on the outside of the frame OR lift the frame and side in from the bottom to position on the inside of the frame. *We suggest positioning the front feet inward so that a customer cannot trip on it. The rear we position outward for stability.*
- c. Anchor the feet into the floor so the tub frame does not move.

step 10

